

M2 Plug-In Triac Module

The M2 Plug-In Triac Module is an add-in output card that gives the M2 controller family 4 triac outputs. These outputs are designated as outputs 1 through 4 or outputs 5 through 8 and are normally open (NO) with status LED's.

Specifications

Power Specifications

Contact Ratings: 2A Maximum*

Operating Environment

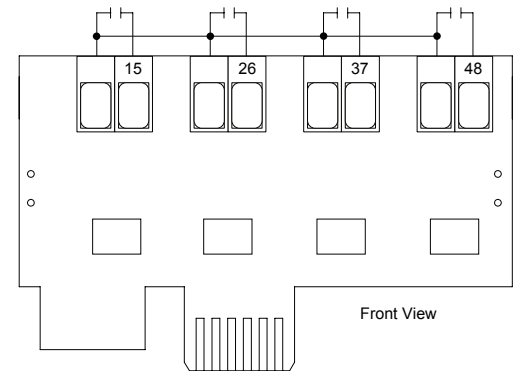
Temperature: 40 to 140 F (4 to 60 C)**

Humidity: 10-90% Relative, noncondensing***

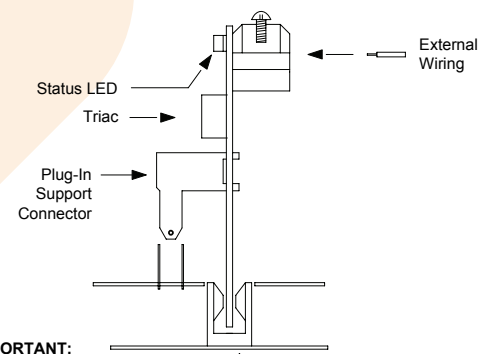
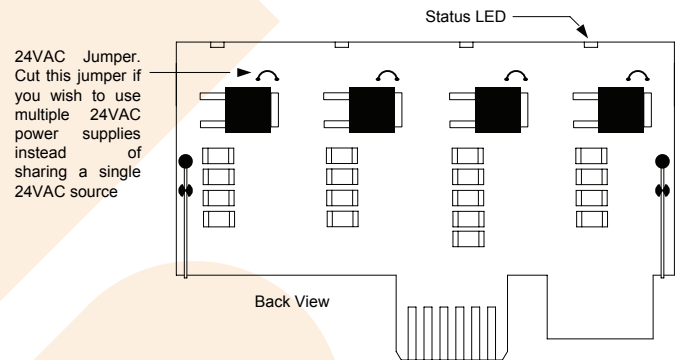
* Maximum Voltage: 24VAC (AC voltage only)

** Storage Temperature: -10 to 150 F (-23 to 66 C)

*** Storage Humidity: 0-95% Relative, noncondensing



Note: The M2-T4 module can be used on both the M2 and M2V controllers. The terminal block on this module has labeled terminals 15, 26, 37 and 48. For example, the first output of the M2-T4 can be either output 1 or 5 depending on where the module is inserted. When the module is inserted into the Relay Module Port on the M2V, it will designate Triac Output 1 as the controller's Output 5. Then with a black marker, the 1 of the 15 label can be blacked out to only show the 5. Continue this process for outputs 6, 7 and 8 so that the triac module shows the correct output labels. On an M2, two M2-T4 modules can be used simultaneously to provide outputs 1 through 8. For the first M2-T4 module, with a black marker, mark out the numbers 5, 6, 7 and 8 and for the second M2-T4 module, mark out the numbers 1, 2, 3 and 4.



IMPORTANT:
Plug the module into two female mating connectors for stability

Turn off power to the M2 or M2V before inserting this module