



Temperature Display Adjustments

The temperature display may be adjusted by adjusting the ZERO or OFFSET Potentiometer (P2) as shown on the wiring diagram below. Adjust (P2) until the LCD Display reading, matches your controllers temperature reading if necessary. All LCD Displays, are factory calibrated using an NIST Certified Glass thermometer.

Override Adjustments

If a Separate Input or Tenant Override (N/O Dry Contact Closure) is needed, remove both of the Jumpers or Shunts from J3, and connect both Override wires to the terminal block labeled O/R. (See Wiring Diagram below)

ZTS-D1 Room Temperature Sensor w/LCD Display, Push Button Override and Setpoint Adjustment

The ZTS-D1 is a low power, high accuracy, 3.5 digit LCD display unit. The ZTS-D1 is a wall mount room unit that includes a 10k thermistor for room temperature sensing and a 10k potentiometer for setpoint. The override switch is a normally open switch in parallel with the room temperature sensor or a separate 2 pole terminal block for tenant override. The ZTS-D1 may be powered with either 24 VAC or +8 to 35 VDC, since it uses a half-wave bridge to convert the AC voltage to a useable DC voltage. The heart of the ZTS-D1 temperature reference is a precision, semiconductor type, temperature sensor calibrated to +/- 0.2F accuracy. The +/- 0.2F high accuracy unit is calibrated to an NIST Traceable thermometer.

All of the units come with a two year factory warranty.

Specifications

- Input:** 2-wire external power & 4 wires for temperature and setpoint
- Supply Voltage:** +8 to 35VDC or 24VAC
- Current Draw:** Less than 4mA
- Life Expectancy:** 100,000 hours or 11.5 years
- Display Accuracy:** +/- 0.2 degrees F
- Display Operating Temperature:** 32 to 158 F (0 to 70 C)
- Enclosure Material:** Beige ABS plastic

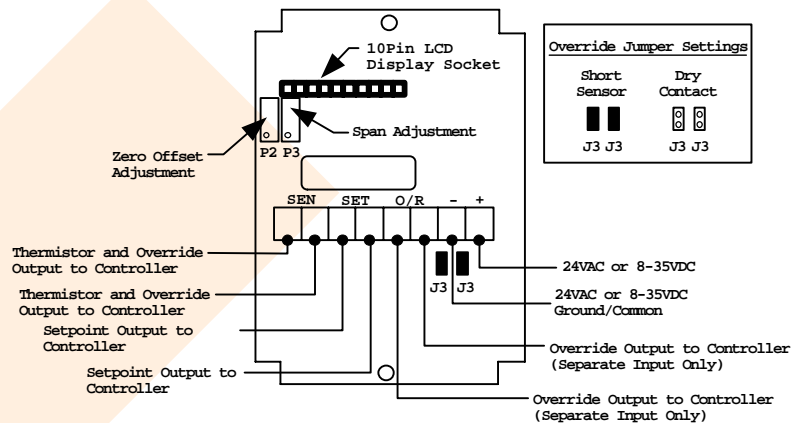
Wiring Connections

A minimum of (6) wires to a maximum of (8) wires must be pulled for the ZTS-D1 to work properly. The supply voltage to the display must be isolated from the sensor inputs to the controller. Solidyne recommends the use of 18 to 22 AWG twisted pair wires or shielded cable for all sensor installations.

Mounting Instructions

The ZTS-D1 is shipped as a two-piece unit. The LCD Module must be unplugged from the 10 pin connector before the base of the sensor may be mounted to either the drywall or over a standard 2" x 4" Junction Box, using the mounting hardware provided. The LCD Module should then be gently inserted back into the 10 pin connector. The cover may now be placed onto the unit and tightened down using the (2) 1/16" Allen screws at the bottom of the housing.

Wiring Diagram



Dimensions

