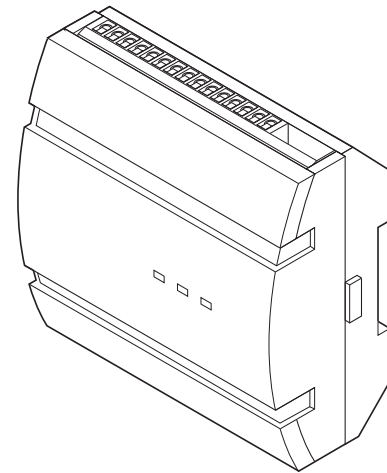


Application

The sLON-2xx, sLON-3xx, and sLON-4xx (sLON-2, sLON-3, and sLON-4) Controllers are interoperable devices designed in accordance with LONMARK[®] guidelines and equipped with LONMARK HVAC profiles. These controllers support sLON-WTSx digital sensors. LED indicators, a wiring subbase with removable electronics, field wiring terminal blocks, as well as DIN rail or panel mounting ability are other features of these controllers. They function in standalone mode or as part of a LONWORKS[®] Network using the integral FT 3150[®] Free Topology communications transceiver. A direct connection to a sLON-ADPx Communication adapter and a PC with WPT Software Tool software is necessary to download and modify applications.



Model Chart

Model	Description	Inputs/Outputs
sLON-2Fx	sLON-2 Controller with Fan Coil Profile (8020)	1 Digital Input (DI) 2 Universal Inputs (UI) 4 Digital Outputs (DO)
sLON-2Hx	sLON-2 Controller with Heat Pump Profile (8051)	
sLON-2Rx	sLON-2 Controller with Rooftop Profile (8030)	
sLON-2RSx	sLON-2 Controller with Satellite Profile (8030)	
sLON-3Fx	sLON-3 Controller with Fan Coil Profile (8020)	3 Universal Inputs (UI) 2 Digital Outputs (DO) 2 Analog Outputs (AO)
sLON-3Hx	IsLON-3 Controller with Heat Pump Profile (8051)	
sLON-3Rx	sLON-3 Controller with Rooftop Profile (8030)	
sLON-3Sx	sLON-3 Controller with Satellite Profile (8030)	
sLON-4Fx	sLON-4 Controller with Fan Coil Profile (8020)	2 Digital Inputs (DI) 3 Universal Inputs (UI) 6 Digital Outputs (DO) 2 Analog Outputs (AO)
sLON-4Hx	sLON-4 Controller with Heat Pump Profile (8051)	
sLON-4Rx	sLON-4 Controller with Rooftop Profile (8030)	
sLON-4Sx	sLON-4 Controller with Satellite Profile (8030)	

Installation

Inspection

Inspect carton for damage. If damaged, notify carrier immediately. Inspect controllers for damage upon receipt.

Requirements

(These items not provided)

- Installer must be a qualified, experienced technician.
- Job wiring diagrams
- Tools:
 - Drill and bits for panel mounting screws
 - Digital Volt-ohm meter (DVM)
 - Static protection wrist strap
- Class 2 power transformer supplying a nominal 24 Vac (20.4 to 30 Vac) with a minimum rating of 15 Va, 50/60 Hz per controller plus Digital Output (DO) loads (if same transformer is used). In European Community, transformer must conform to EN 60742
- Terminators:
 - One sLON-T1 terminator required for each free topology segment
 - Two sLON-T2 terminators required for each bus topology segment
- Two #6 pan head panel mounting screws or 35mm DIN rail for mounting

Precautions



General

Warning: Electrical shock hazard! Disconnect power before installing or removing the cover.

- Follow Static precautions when installing this equipment.
- Use copper conductors that are suitable for 167°F (75°C).
- Make all connections according to electrical wiring diagram, national and local electrical codes.

Static Precautions

Static charges damage electronic components. The microprocessor and associated circuitry are extremely sensitive to static discharge. Use the following precautions when installing, servicing, or operating the system.

- Work in a static-free area.
- Discharge static electricity by touching a known, securely grounded object.
- Use a wrist strap connected to earth ground when handling the controller's printed circuit board.

Federal Communications Commission (FCC)

This equipment has been tested and found to comply with the limits for a Class B digital device, pursuant to Part 15 of the FCC Rules. These limits are designed to provide reasonable protection against harmful interference in residential installations. This equipment generates, uses, and can radiate radio frequency energy and may cause harmful interference if not installed and used in accordance with the instructions. Even when instructions are followed, there is no guarantee that interference will not occur in a particular installation. If this equipment causes harmful interference to radio or television reception—which can be determined by turning the equipment off and on—the user is encouraged to try to correct the interference by one or more of the following measures:

- Reorient or relocate the receiving antenna.
- Increase the separation between the equipment and receiver.
- Connect the equipment to an outlet on a circuit different from that to which the receiver is connected.
- Consult the dealer or an experienced radio/television technician for help.

Canadian Department of Communications (DOC)

This class B digital apparatus meets all requirements of the Canadian Interference-Causing Equipment Regulations.

European Community Directives

This equipment meets all requirements of European Community Directives for Low Voltage (72/23/EEC), General Safety (92/59/EEC), and Electromagnetic Compatibility (89/336/EEC).

Location

These controllers are suitable for indoor use only.

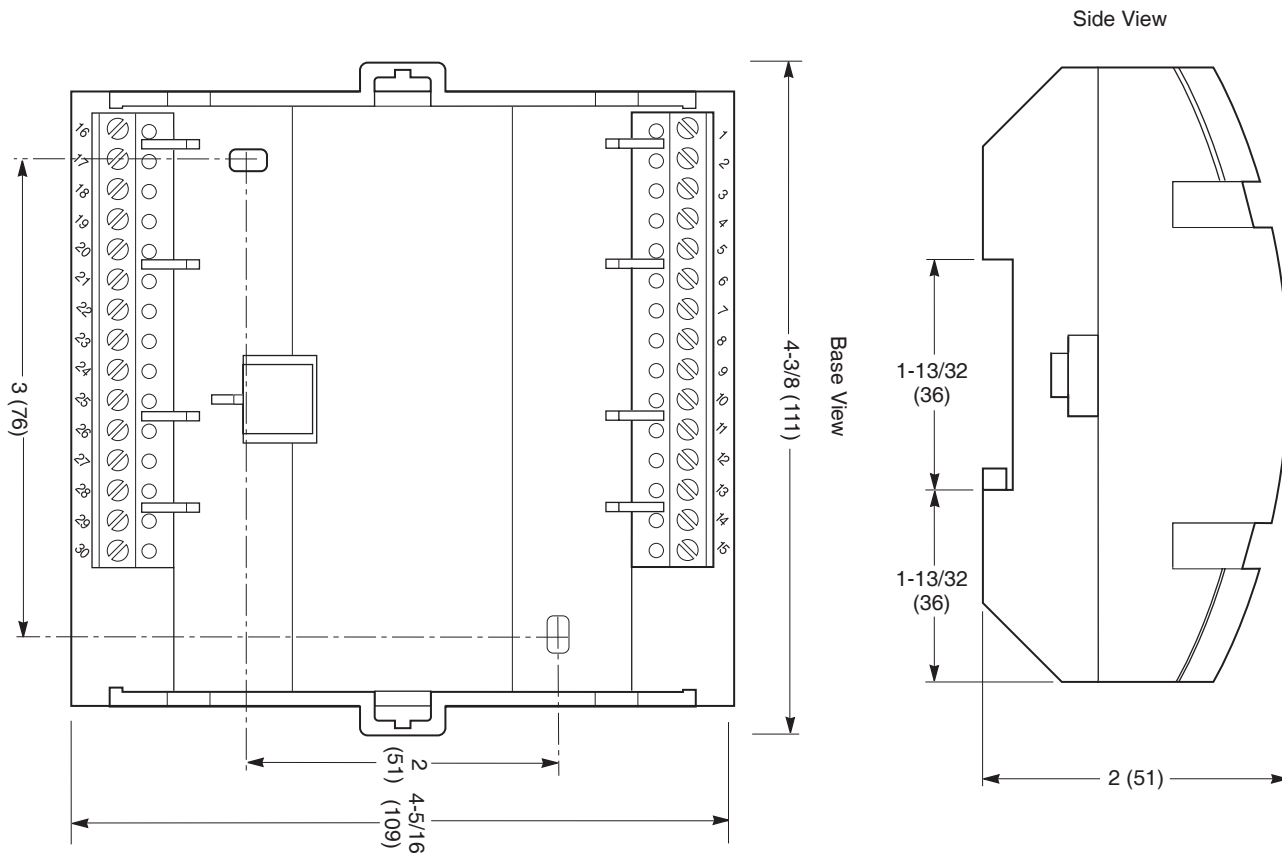
Caution:

- Avoid locations where excessive moisture, corrosive fumes, vibration, or explosive vapors are present.
 - Avoid electrical noise interference. Do not install near large contactors, electrical machinery, or welding equipment.
 - Locate where ambient temperatures do not exceed 140°F (60 °C) or fall below -40°F (-40 °C) and relative humidity does not exceed 95% or fall below 5%, non-condensing.
-

Mounting

Panel or DIN Rail Mounting

1. Select mounting location. Enclosure mounting is recommended.
2. Do one of the following:
 - a. Using two #6 pan head screws, mount base of controller to a panel (Figure-1).
 - b. Snap controller base on a 35mm DIN mounting rail (not provided). Multiple units can be mounted side by side on a DIN mounting rail.
3. Wire controller base (See Wiring section).
4. After wiring, insert cover tabs into brackets on base of the controller and gently push until cover snaps into place.



Dimensions shown are in inches (mm).

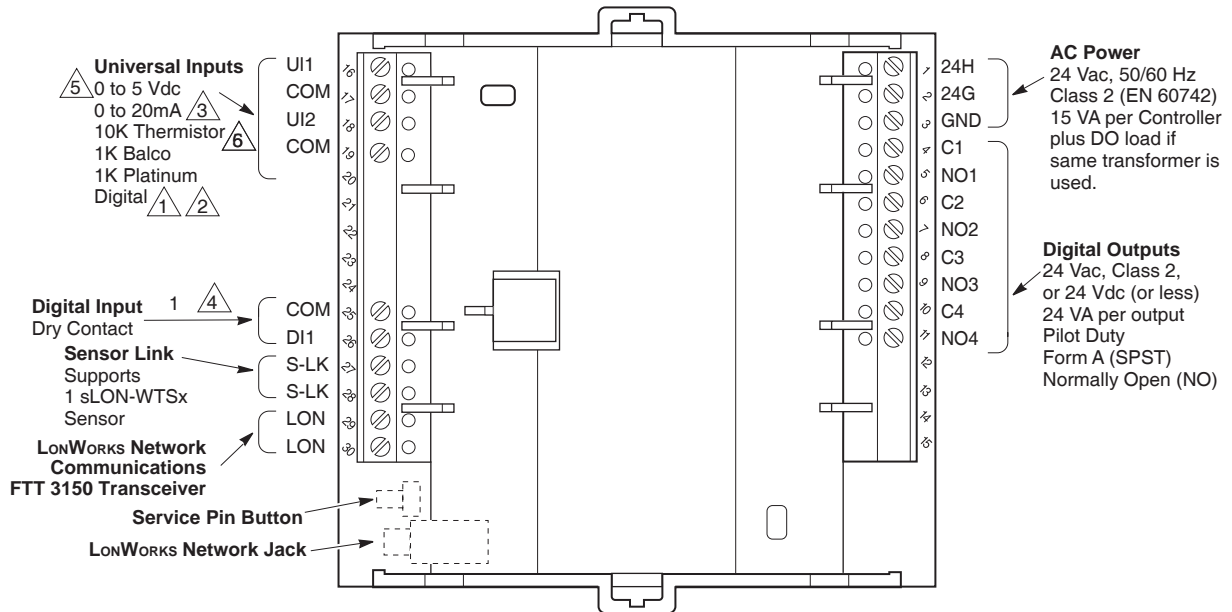
Figure-1 Mounting Dimensions.

Wiring

Review Figures 2, 3, and 4 when making electrical connections to controller.

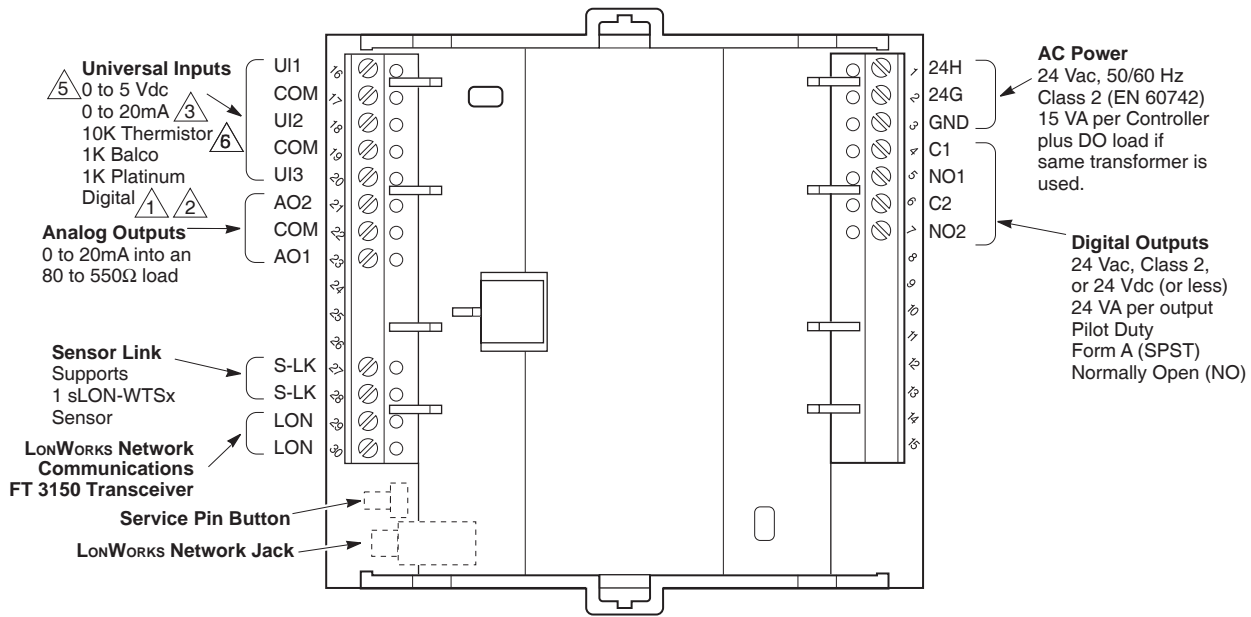
The following electrical connections can be made to the controllers:

- Sensor Link (S-Link) connection to sLON-WTS (sLON-WTSx).
- LONWORKS network (LON[®]) connection.
- I/O connections including Universal Inputs, Digital Inputs (sLON-2 and sLON-4), Analog Outputs (sLON-3 and sLON-4), and Digital Outputs.
- Power connection to a 24 Vac nominal Class 2 power source and earth ground.



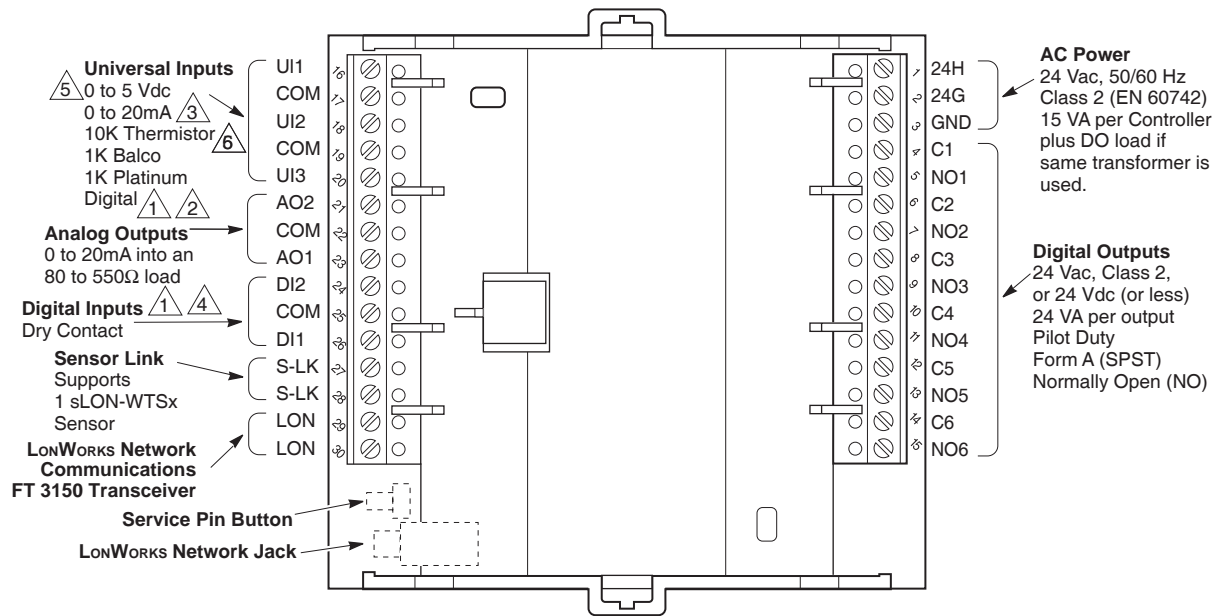
- 1 To detect a closed switch, maximum resistance must be less than 300 ohms.
- 2 To detect an open switch, minimum resistance must be greater than 1.5K ohms.
- 3 Applications which use 0 to 20 mA analog inputs require a 250 ohm shunt resistor kit, AD-8969-202. Install resistor across universal input and common.
- 4 To detect an open switch, minimum resistance must be greater than 100K ohms.
- 5 Input signals of 1 to 11 Vdc must be converted to 0.45 to 5 Vdc with a voltage divider, AD-8961-220.
- 6 Applications which use a 10K Thermistor Sensor universal input require an 11K ohm shunt resistor kit, AD-8969-206. Install resistor across universal input and common.

Figure-2 sLON-2 Terminal Connections.



- ① To detect a closed switch, maximum resistance must be less than 300 ohms.
- ② To detect an open switch, minimum resistance must be greater than 1.5K ohms.
- ③ Applications which use 0 to 20 mA analog inputs require a 250 ohm shunt resistor kit, AD-8969-202. Install resistor across universal input and common.
- ④ To detect an open switch, minimum resistance must be greater than 100K ohms.
- ⑤ Input signals of 1 to 11 Vdc must be converted to 0.45 to 5 Vdc with a voltage divider, AD-8961-220.
- ⑥ Applications which use a 10K Thermistor Sensor universal input require an 11K ohm shunt resistor kit, AD-8969-206. Install resistor across universal input and common.

Figure-3 sLON-3 Terminal Connections.



- 1 To detect a closed switch, maximum resistance must be less than 300 ohms.
- 2 To detect an open switch, minimum resistance must be greater than 1.5K ohms.
- 3 Applications which use 0 to 20 mA analog inputs require a 250 ohm shunt resistor kit, AD-8969-202. Install resistor across universal input and common.
- 4 To detect an open switch, minimum resistance must be greater than 100K ohms.
- 5 Input signals of 1 to 11 Vdc must be converted to 0.45 to 5 Vdc with a voltage divider, AD-8961-220.
- 6 Applications which use a 10K Thermistor Sensor universal input require an 11K ohm shunt resistor kit, AD-8969-206. Install resistor across universal input and common.

Figure-4 sLON-4 Terminal Connections.

Communications Wiring

Caution:

- Communication wire pairs must be dedicated to sLON-WTSx (S-Link) and LONWORKS network (LON) communications. They cannot be part of an active, bundled telephone trunk.
 - Shielded cable is not required for S-Link or LON wiring.
 - If the cable is installed in areas of high RFI/EMI, the cable must be in conduit.
 - If shielded wire is used, the shield must be connected to earth ground at one end only by a 470K ohm 1/4 watt resistor. Shield must be continuous from one end of the trunk to the other.
-

Communications wiring includes a connection between the controller and an sLON-WTS via the S-Link and a connection between the controller and the LONWORKS Network (LON). An optional LONWORKS Network connection between the controller and one sLON-WTS is also possible.

Sensor Link (S-Link) Wiring

S-Link wiring powers and enables the sLON-WTSx sensor. The S-Link needs at least 24 gage (0.51mm), twisted pair, voice grade telephone wire. The capacitance between conductors cannot be more than 32 pF per foot (0.3m). If shielded cable is used, the capacitance between any one conductor and the others, connected to the shield, cannot be more than 60 pF per foot (0.3m). Maximum wire length is 200 ft. (61m).

Note:

- Controller supports one sLON-WTS (sLON-WTSx).
 - S-Link wiring is polarity insensitive.
 - If conduit is used between an sLON-WTS Sensor and a controller, the LonWorks network and S-Link wiring can be in the same conduit, however, they must be separate cables.
 - S-Link wiring can be in the same conduit with UI, AO, and DI Wiring.
-

LonWorks Network (LON) Wiring

An approved Category 4 or 5, twisted-pair (two conductors) cable may be used for both connecting to the LonWorks Network and the optional LONWORKS Network connection between the controller and sLON-WTSx sensor. LONWORKS Network wiring is polarity insensitive.

Caution: Do not mix with UI, AO, DI or DO types of wiring. If conduit is used between an sLON-WTS Sensor and a controller, LONWORKS Network wiring and S-Link wiring can be in the same conduit, however, they must be separate cables.

sLON-2, sLON-3, and sLON-4 controllers use LONWORKS Free Topology Transceiver (FT 3150) and support polarity insensitive bus (daisy-chain) and free (all combinations of star, tee, and loop) wiring topologies. A maximum of 62 nodes can be connected per segment.

- Use of the LON terminals to connect to the sLON-WTSx sensor permits use of the sensor's built-in LON Jack.
- To preserve the integrity of the network, the LON wiring connecting an sLON controller to an sLON-WTS sensor must be run to the sensor and back, in daisy-chain fashion. A wire "spur" must not be used to connect the sensor to the controller.
- While the sLON-WTS sensor is not counted as a "node" in the LonWorks network (LON), all LON wiring to the sensor must be counted when determining the length of the FTT wiring segment.

I/O Wiring

I/O connections include universal inputs, analog outputs, digital inputs, and digital outputs. See Figure-2, Figure-3, and Figure-4 for proper wire terminal information.

Caution: If shielded cable is used, connect only one end of the shield to earth ground at controller.

Universal Inputs (UI), Analog Outputs (AO), and Digital Inputs (DI)

Caution:

- Input and output devices cannot share common wiring. Each connected device requires a separate signal and return conductor.
 - Power wiring cannot share conduit with UI, AO, S-Link, LON, or DI wiring.
-

Note:

- If maximum closed switch voltage is not more than 1.0 V *and* minimum open switch voltage is at least 4.5 V, then solid state switches may be used for a UI or a DI.
 - UI, AO, DI, and S-Link wiring can share a single conduit.
-

UI, AO, DI, wiring needs at least 24 gage (0.51mm), twisted pair, voice grade telephone wire. The capacitance between conductors cannot be more than 32 pF per foot (0.3m). If shielded cable is used, the capacitance between any one conductor and the others, connected to the shield, cannot be more than 60 pF per foot (0.3m). Table-1 provides wiring specifications.

Table-1 UI, AO, and DI Wiring Specifications.

Connection	Gage AWG (mm)	Maximum Distance ft. (m)
UI, AO, and DI	18 (1.02)	300 (91)
	20 (.81)	200 (61)
	22 (.65)	125 (38)
	24 (.51)	75 (23)

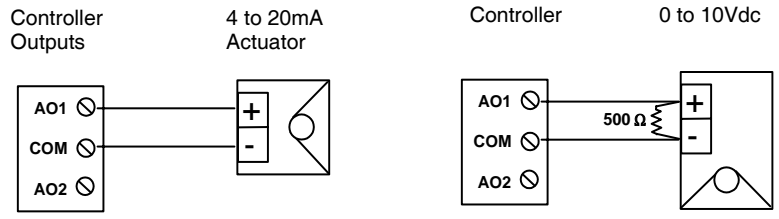


Figure-5 Analog Output Connections for 4 to 20mA and 0 to 10Vdc Actuators.

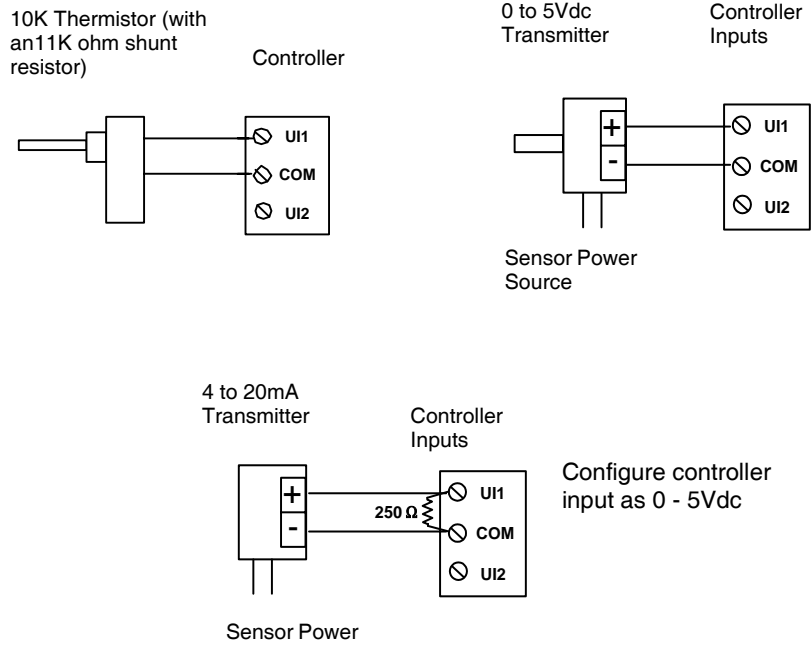


Figure-6 Universal Input Connections for 10K (with 11K ohm shunt) Thermistor Sensor, 4 to 20mA Transmitter, and 0 to 5 Vdc Transmitters.

Digital Outputs (DO)

Caution:

- DO terminals accept one 16 gage (1.29mm) wire or two 18 gage (1.02mm) wires. The selected wire gage must be consistent with the load current rating.
- DO wiring cannot be intermixed with DI, UI, S-Link, LON and AO wiring.
- sLON-2, sLON-3, and sLON-4 controllers are Class 2 devices. Each digital output can support up to 24 Vac/Vdc at 1.0 amp (24 VA) pilot duty.

Note: Digital Output wiring can be intermixed with class 2 power wiring.

Each DO is an isolated Form A (SPST) relay. If the transformer is sized correctly, the 24 Vac Class 2 Controller power source (Figure-7) may be used for load power.

Table-2 Relay Output Load Specifications.

Specification	Value
Maximum Relay Contact Switched Output Voltage	voltage at 24H terminal ^a
Maximum Output Load @ 24 VAC, Pilot Duty	24 VA
Minimum Permissible Load	10.0 mA at 5Vdc
Maximum Off-state Leakage Current	3.5 mA
Minimum Cycles at Rated Load @ 0.4 Power Factor	300,000 cycles

^aSwitched output voltage is equivalent to value of input voltage.

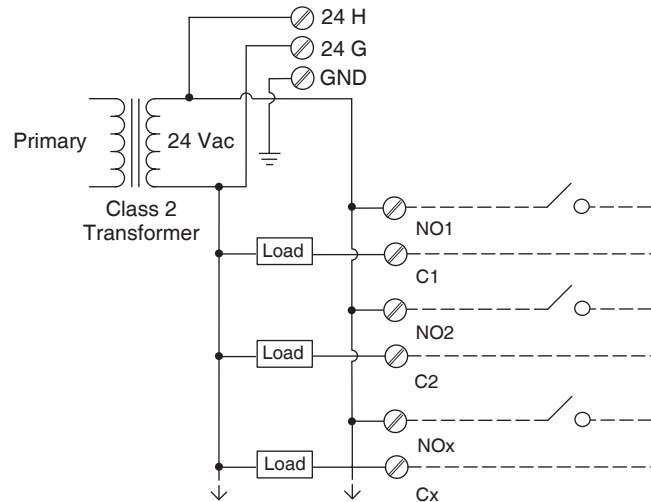


Figure-7 DO Loads and Controller Power Sharing Common Transformer.

Power Supply Wiring

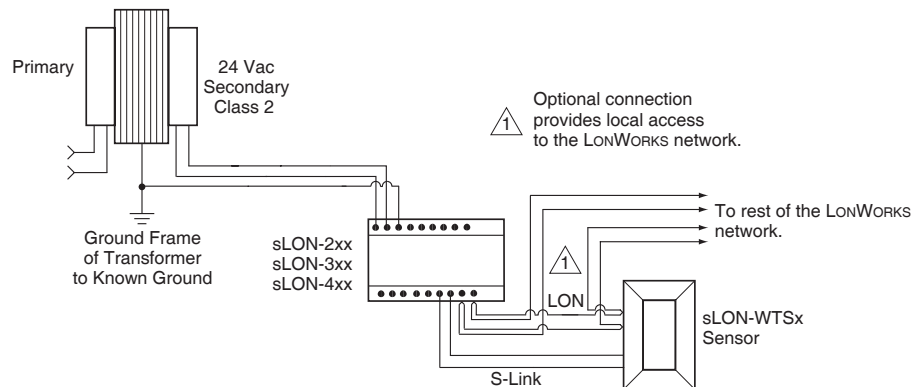
Caution:

- sLON Controllers are Class 2 only devices and must be connected to a Class 2 source. Class 2 circuits must not intermix with Class 1 circuits.
- This product contains a non-isolated half-wave rectifier power supply and must not be powered by transformers used to power other devices containing non-isolated full-wave rectifier power supplies. Refer to *EN-206, Guidelines for Powering Multiple Devices from a Common Transformer*, F-26363, for detailed information.
- Power wiring cannot be intermixed with LON, S-Link, UI, AO, or DI wiring.
- Use a Class 2 power transformer supplying a nominal 24 Vac (20.4 to 30 Vac) with a minimum rating of 15 VA at 50/60 Hz plus digital output loads (144VA using 6 DOs or 96VA using 4 DOs if same transformer is used). The supply to the transformer must be provided with a breaker or disconnect. In European Community, transformer must conform to EN 60742.
- The Class 2 power transformer may be used to power multiple Class 2 powered devices provided that the transformer is properly sized to power all equipment simultaneously and all devices contain the same type of rectifier power supplies or internal isolation.
- The transformer frame must be grounded.
- When powering multiple Class 2 devices from the same Class 2 power transformer, polarity must be observed (24H connected to 24H and 24G connected to 24G).

Note:

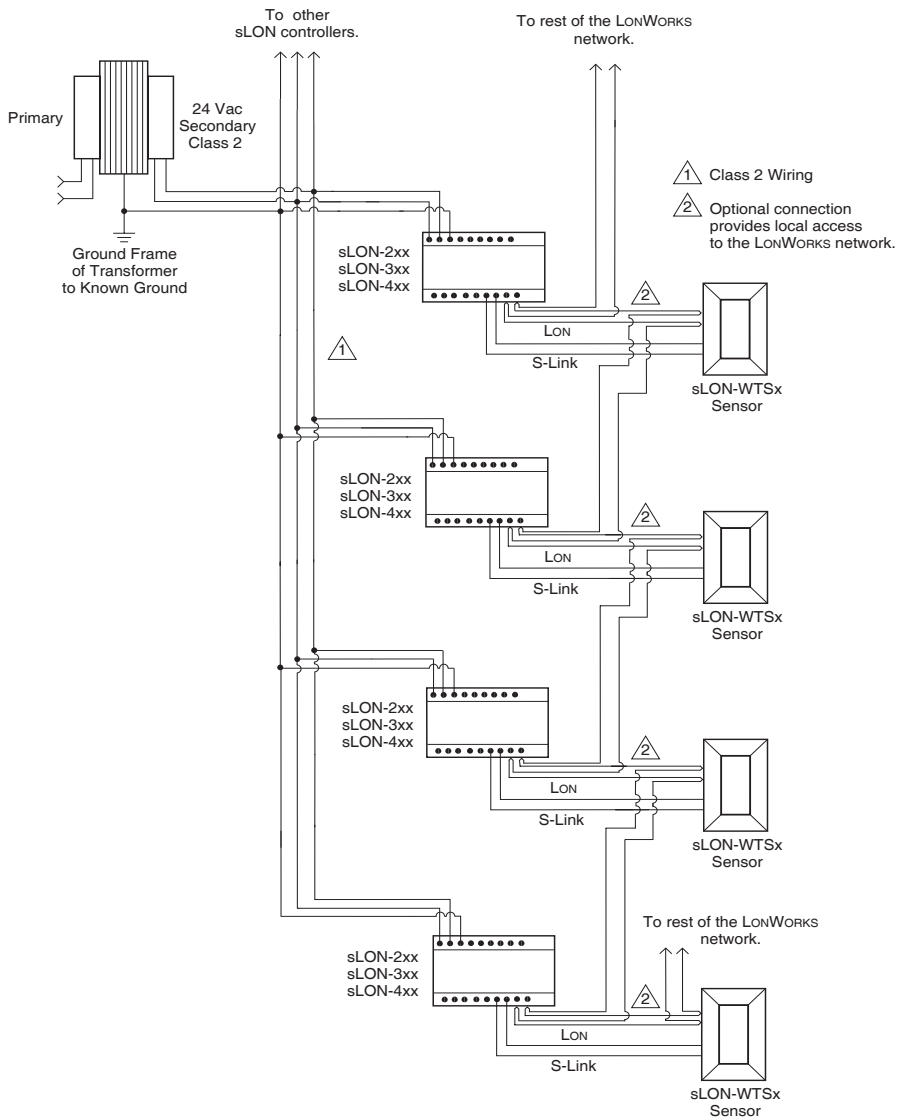
- Power wiring terminals accept one 16 gage (1.29mm) or two 18 gage (1.02mm) wires.
- Power wiring can be intermixed with DO wiring.
- Twisted or untwisted cable can be used for power wiring.
- To preserve the integrity of the network, the LON wiring connecting an sLON controller to an sLON-WTS sensor must be run to the sensor and back, in daisy-chain fashion. A wire "spur" must not be used to connect the sensor to the controller.

Figure-8 and Figure-9 are acceptable wiring configurations.



Observe Free or Daisy chain topology when making connection to rest of network.

Figure-8 Single Controller Powered from a Separate Class 2 Power Source.



Observe Free or Daisy chain topology when making connection to rest of network.

Figure-9 Multiple Controllers Powered from a Single Class 2 Power Source and Sharing Communications in a Free Topology Segment.

Checkout

Mechanical Hardware Checkout

1. Verify wiring between sLON-WTS and controller is installed according to job wiring diagram and national and local wiring codes.

Note: Wiring of the S-Link and LonWorks network between the sensor and the controller is not polarity sensitive.

2. If controller is part of a LonWorks network, verify the TP/FT-10 LONWORKS network wiring between controller and other devices is installed according to job wiring diagram and national and local electrical codes.
3. Verify 24 Vac power is provided from a Class 2 power transformer and wiring is installed according to job wiring diagrams and national and local electrical codes.
4. If multiple devices are powered from the same transformer, verify wiring polarity has been maintained between all connected devices (24H connected to 24H and 24G connected to 24G).
5. If multiple devices are powered from a common transformer, verify all issues associated with powering multiple devices from a common transformer have been addressed.
6. Verify digital outputs are wired according to job wiring diagram and national and local electrical codes.
7. Make certain current requirements of the controlled device do not exceed rating of controller's digital outputs.

Communications Hardware Checkout

1. Verify controlled equipment is in a manually controlled, safe state.
2. Place controller power breaker in the ON position. See job wiring diagrams.
3. Observe green Data Transmission LED (Figure-10) and do the following:
 - a. If green Data Transmission LED is steady on or blinking, go to step 4.
 - b. If green Data Transmission LED is off, check power.
4. Observe red Service LED (Figure-10) and do the following:
 - a. If the red Service LED is off or flashing, proceed with downloading an application using WPT Software Tool and configuring the controller with a third party network management tool.
 - b. If red Service LED is steady on, turn power to controller OFF, wait five seconds, and turn power ON. If red Service LED is still steady on, turn power OFF and replace controller.

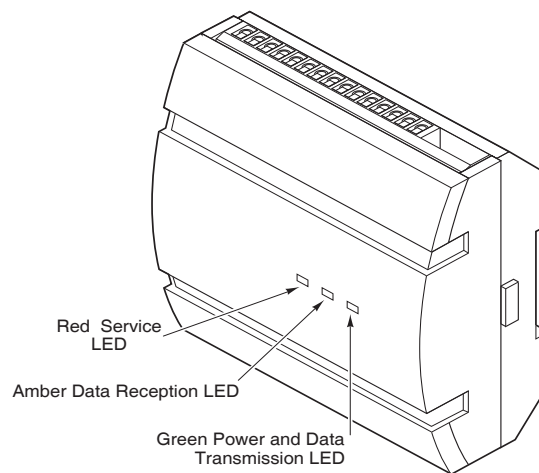


Figure-10 Location of Controller LEDs.

Table-3 LED Indication.

Indicator	Context	Status	Corrective Action
Data Reception LED – amber	Anytime	Blinks when the controller receives data from the LONWORKS Network.	None required.
		On indicates a possible network connection problem, or a large amount of network traffic is present.	Remove the LONWORKS Network connections from the controller and determine if the LED goes off. If the LED does not go off, replace the controller. If the LED does go off, check the network topology (connections to each node, routers, terminators, etc.) and the amount of traffic on the network.
		Off indicates that data reception is not taking place.	
Data Transmission LED – Green	Anytime	Blinks when the controller transmits data to the LONWORKS Network.	None Required
		On indicates that the controller is not transmitting data. On also indicates that power is being applied to the controller.	
		Off indicates no power to controller.	Check power
Service LED – Red	Power-up	The LED blinks once to indicate successful power-up.	None Required
	Wink mode	Blinks (3 seconds on, 1 second off) three times to indicate physical location of the controller. If a sensor (sLON-WTSx) is connected, its red occupancy LED will flash (1/sec) during the wink period.	
	Anytime	On indicates that the neuron application is not running. Neuron applications are not field replaceable.	Replace the controller.
	Anytime	Blinks (1/sec) to indicate that the neuron application is loaded, but the neuron's communication parameters are not loaded, are being reloaded, or have been corrupted. Neuron is considered unconfigured. Communication parameters cannot be configured by field personnel.	Use a third party network management tool to commission the controller, or use the change state tool in WPT Software Tool (version 4.0 or greater) to set the Neuron® to the configured/on-line state. While the controller is unconfigured, WP Tech can be used to download an application, but at the completion of the download, WP Tech versions 4.0 and higher will restore the Neuron to the unconfigured state.
	Anytime	Off may indicate that the neuron application is loaded but the device is off-line. In this state, a pre-loaded HVAC application will not run.	Use a third party network management tool to commission the controller, or use the change state tool in WPT Software Tool (version 4.0 or greater) to set the Neuron to the configured/on-line state. While the controller is off-line, WP Tech can be used to download an application, but at the completion of the download, WP Tech versions 4.0 and higher will restore the Neuron to the off-line state.
	Anytime	Off usually indicates a normal state. In this state, the controller operates normally, and you can download and/or run HVAC applications.	If the controller is able to accept and/or run a downloaded HVAC application, no action is required.

Controller Selection

Identical pairs of factory barcode labels are attached to each controller. The labels can be used to select controllers for application downloading purposes. Each pair of labels contains a unique Neuron ID. One of the labels remains on the controller permanently; the other label can be placed on a job site plan.

The Neuron ID may be entered into the WPT Software Tool. The WPT Software Tool (must be version 4.0 or greater) can then download an application to the selected controller.

Caution: Do not hold service pin button when selecting a controller. Holding the service pin button for 6 seconds or longer will completely unconfigure controller.

The service pin button is also used to select controllers. When this button is pressed, the controller sends a broadcast message containing its Neuron ID to the online or connected WPT Software Tool. After the message is received, the controller can be selected for application downloading.

Service

Components within sLON-2, sLON-3, and sLON-4 controllers cannot be field repaired. If there is a problem with a controller, follow the steps below before contacting Solidyne Technical Support

1. Make sure controllers are connected and communicating to desired devices.
2. Check all sensors and controlled devices are properly connected and responding correctly.
3. If controller is operating, make sure the correct profile and application is loaded by checking the LONMARK Program ID and the nvoDeviceInfo using WPT Software Tool.
4. Record precise hardware setup indicating the following:
 - Version numbers of applications software.
 - Controller firmware version number.
 - Information regarding the WPT Software Tool.
 - A complete description of difficulties encountered.

© Copyright 2005 Solidyne Corp. All rights reserved.

No part of this document may be photocopied or reproduced by any means, or translated to another language without prior written consent of Solidyne Corporation.

All specifications are nominal and may change as design improvements are introduced. Solidyne shall not be liable for damages resulting from misapplication or misuse of its products.

Echelon, LON, Neuron, 3150, LONMARK and LONWORKS are trademarks of Echelon Corporation registered in the United States and other countries.