

CS-30A Solid-Core Current Switch

CS-30A is a low cost solid state device used for detecting status of loads if they are truly "ON" when they are turned on. This non-contact sensor is very repeatable and accurate for detecting any AC current including chopped AC waveforms.

CS-30A Current Switch is a self powered solid-core solid state transducer which monitors any AC current passing through its core. Magnetically induced current is used to power its internal circuitry. As a result, it does not require external power.

The **CS-30A** requires a minimum of 0.10A AC current (50-60 cycle) (guaranteed) to detect the load current reliably. For applications that are less than 0.10A, load wire can be wrapped through its core more than once to increase its current detection sensitivity.

CS-30A is specified to monitor up to 30A AC, however, it can be any current higher provided the load wire can pass through its core.

Specifications

Output Signal: Digital Output, Transistor (turns on at AC current above 0.10A)

Max Load Current: 30A (50 or 60Hz)

Min Load Current: guaranteed 0.10A required to close switch
 Wrap load wire more than once to increase sensitivity. Each added turn divides the sensitivity by the turn number.

Switching Voltage: Up to 50 VDC

Max Switching Current: 50mA

Linearity: +/- 2% F.S.

Accuracy over Temperature: +/- 1% F.S.

Core: Solid

Operating Temperature: -20°F to +150°F (-30°C to +65°C)

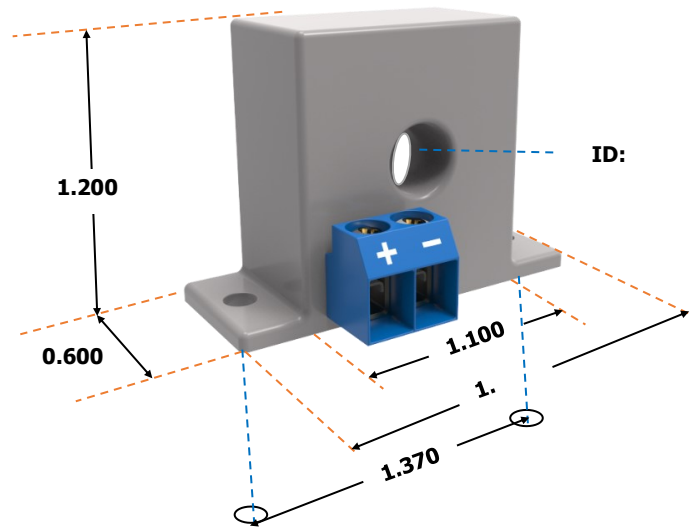
Storage Temperature: -40°F to +170°F (-40°C to +77°C)

Operating Humidity: 10 to 95 %RH non-condensing

Storage Humidity: 10 to 98 %RH non-condensing

UL Approval: pending

Dimensions



WARNING: To reduce risk of electrical shock, always open or disconnect circuit from power-distribution system (or service) of building before installing/servicing current-sensing transducers/sensors/switches.